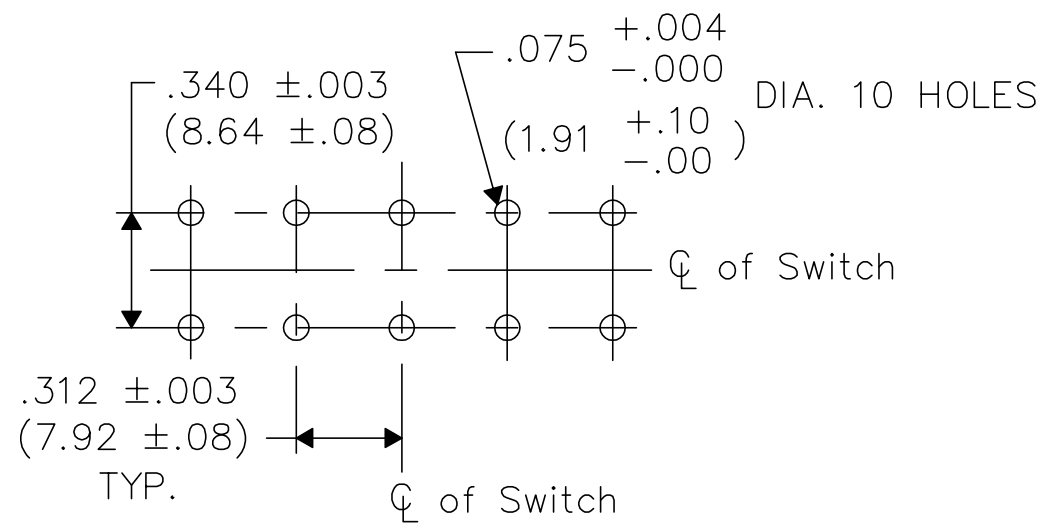
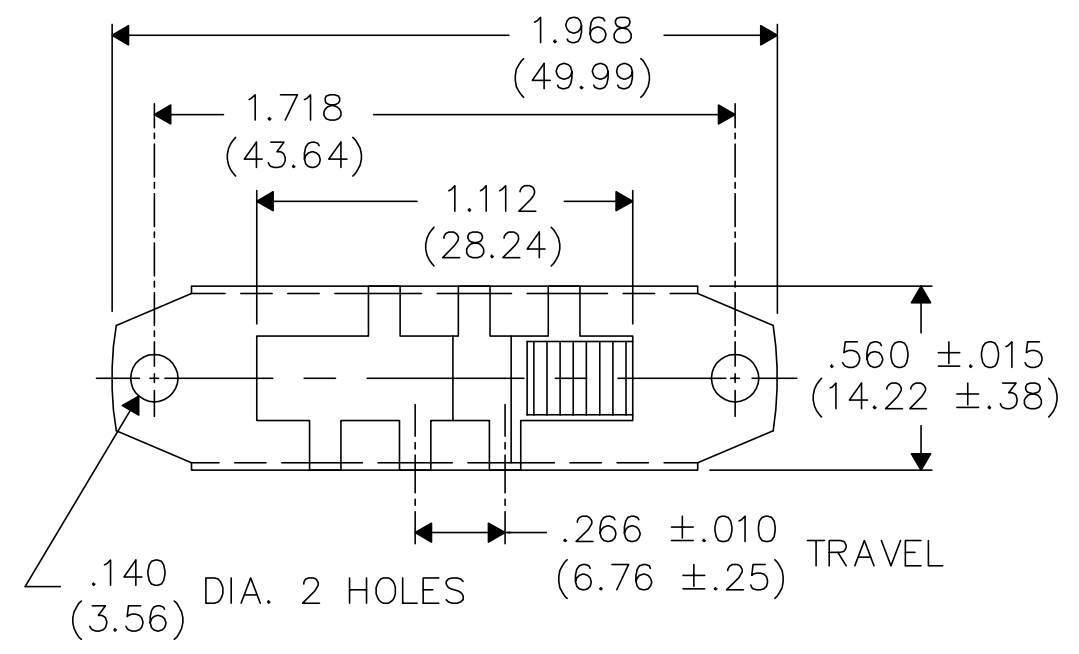
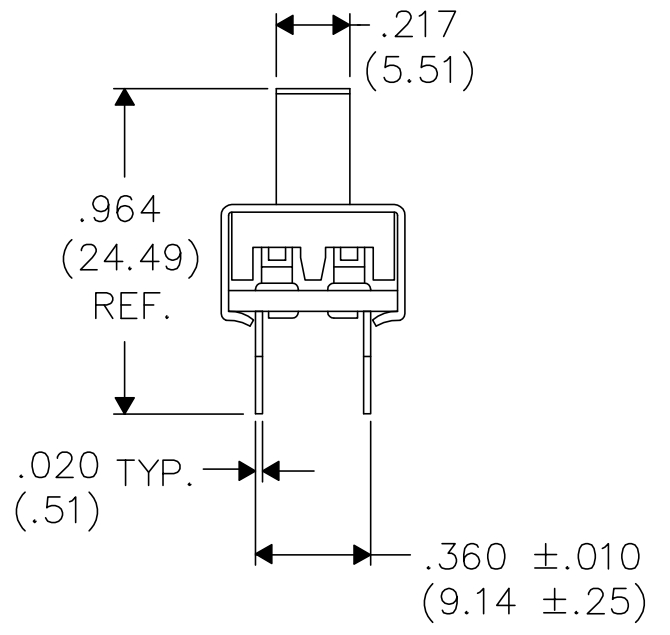
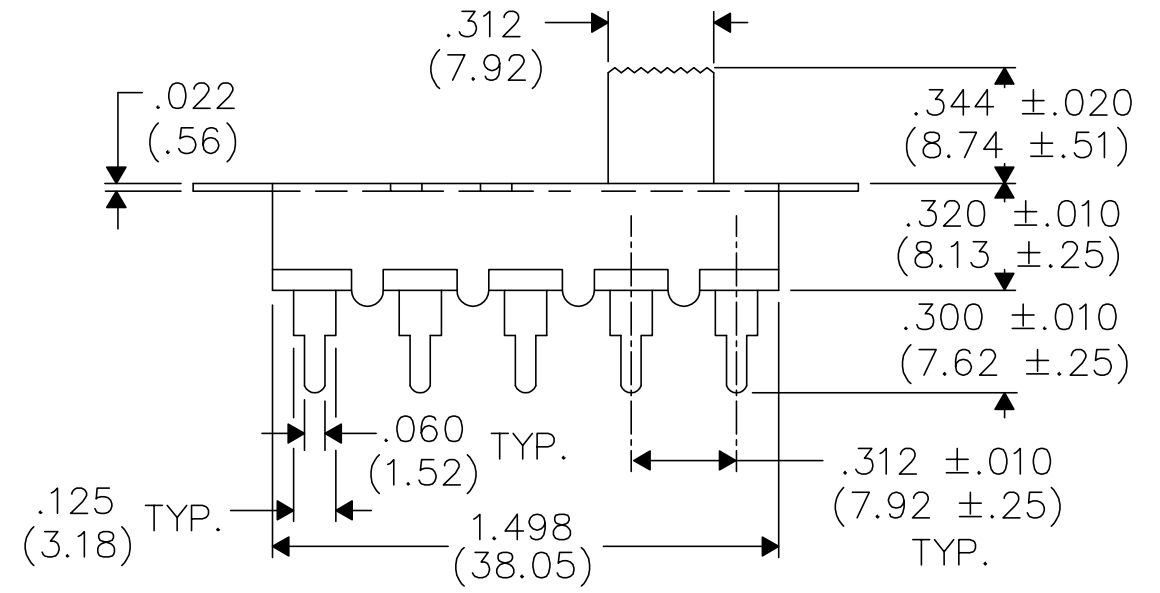


DIMENSIONS IN INCHES (MILLIMETERS)
DO NOT SCALE DRAWING

Dwg. No.
G-638S-0001



P.C. LAYOUT



1 2 3 4 5 6 7 8 9 10

B-FORMAT 2002
REVISIONS
0
RELEASED.
DGW 3-25-2004
MAY 03, 2004

CW INDUSTRIES
Southampton, Pa. 18966
TOLERANCES UNLESS OTHERWISE SPECIFIED
2 Place Decimal ±.010 METRIC
3 Place Decimal ±.005 1 Place Dec. ±.25mm
Angles ±1' 2 Place Dec. ±.13mm
Made for: CW IND.
Drawn by: DGW 3-25-2004
Checked by: GG 4-13-04
Approval: BF 4-27-4

Title: ASSEMBLY DRAWING SWITCH D.P./ 4 POS.
Division: SWITCH
Dwg. No. G-638S-0001